



# FAUCET OWNER'S MANUAL

Dear Customer:

Some or all of the faucets in your RV, Manufactured Home or Boat were produced by Phoenix Products, Inc. Our company is a family owned business specializing in faucets for the Recreational Vehicle, Manufactured Housing and Marine applications. This brochure explains your faucet's operation and simple maintenance items that may be required.

All of us work very hard to provide you with the best possible faucet value. If you have problems with your faucet that you and/or your dealer can't solve, please contact us. If you are not satisfied with the response of our Customer Service personnel, please feel free to contact me directly. Your satisfaction is our primary goal.

Very truly yours,

Raymond M. Arth  
President & Chief Executive Officer

## PHOENIX PRODUCTS 5 YEAR LIMITED WARRANTY

For a period of five years, Phoenix Products warrants its faucets against defects in material or workmanship, ordinary wear and tear excluded. Special finishes other than chrome are warranted for one year. Should any faucet part or parts thereof prove defective, return the material immediately to: Phoenix Products, Inc., 583 Miller Road, Avon Lake, Ohio 44012. Repair or replacement will be made without charge. LIABILITY FOR CONSEQUENTIAL DAMAGES UNDER ANY AND ALL WARRANTIES ARE EXCLUDED TO THE EXTENT SUCH EXCLUSION IS PERMITTED BY LAW. Some states do not allow the exclusion or limitation of consequential damages, so the above limitation and exclusion may not apply to you. This warranty gives you specific legal rights, and you may also have other rights which vary from state to state.

## A FEW REMINDERS:

With modern plastics and advanced engineering, it is no longer necessary to crank faucets off with great pressure - in fact, overtightening the handle can shorten the life of your faucets. Use average pressure and turn only until water stops. Should a drip develop, turning the knob gently should stop the leak.

The most common repair made by the consumer is the replacement of the seat washer or cartridge. Should a leak develop in your faucet, there are different but simple repair procedures. The replacement of the washer in a stem & bonnet assembly is a simple process. This manual and some repair parts available from your dealer is all you'll need.

If water flow seems low, some faucets are equipped with flow restrictors for water conservation mandated by Public Law 102-486.

Phoenix Products, Inc.  
1-440-933-8100  
TOLL FREE 1-800-222-6041  
FAX 440-933-6252  
WEB Phoenixfaucets.com



# OPERATION AND CARE

## CARE AND CLEANING

Many of the bathroom cleaners in use today contain aggressive chemicals and abrasives for the purpose of removing soap scum and stains from porcelain, enamel, and ceramic tile surfaces. Often these cleaners are also used to clean the chrome, polished brass, or other finishes on faucets, showerheads and other bathroom accessories. Depending on the particular abrasive or chemical, application of these products may result in either immediate or long-term damage or even removal of the finish. Please be aware that unintentional splashing or overspray of cleaners can be as harmful as deliberate application.

**Phoenix Products, Inc. recommends wiping with a soft, damp cloth or towel.**

General comments on the potential effects of various types of cleaners are noted below:

- \* **Foaming Cleaners**- may cause crazing or cracking of acrylic handles and plastic parts. Repeated use may cause softening of protective organic overcoats on polished brass finishes.
- \* **Bleach**- may cause long term corrosion, damage to finishes.
- \* **Solvent Stain and Spot Removers**- may cause cracking of plastic parts, damage to finishes.
- \* **Cleaners with Alcohol**- may cause cracking in acrylic handles, other plastic parts.
- \* **Tile/Grout Cleaners**- these will remove finishes.
- \* **Lime Removers**- typically contain either phosphoric or hydrofluoric acids, which remove finishes.
- \* **Abrasive Cleansers**- even mild ones, will remove chrome, brass, or any other finish. At first the finish will become dull and scratched.

## SHOULD A LEAK DEVELOP - SINGLE HANDLE FAUCET

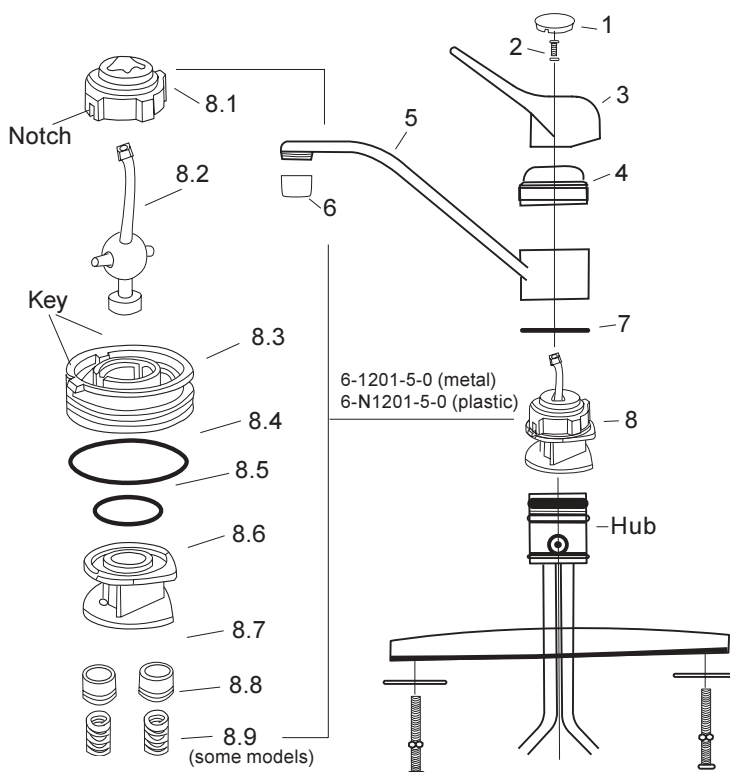
ALWAYS TURN OFF THE WATER SUPPLY. Open the faucet lines to relieve any line pressure.

- 1) Remove the handle button (1).
- 2) Remove the handle screw or rear set screw (2).
- 3) Lift off handle (3).
- 4) Wrap a clean dry rag around the centerpiece nut (4) and unscrew it.
- 5) Lift off ball cap (8.1)
- 6) Pull up on the metal ball lever (8.2) to remove the ball lever and ball seat (8.3).
- (Rock the lever back and forth to loosen. A pliers can be used but take care not to damage the square handle drive.)
- 7) Remove Bonnet Bottom (8.6).
- 8) Clean debris from underside of bonnet bottom and inside the faucet body by flushing with water. Check bonnet bottom inlet surface for scoring. Replace as necessary.

- 9) To remove the seat washers and springs (8.7, 8.8) insert the tip of a pen into the washer and pull up at an angle.
- 10) Inspect the seat washers for wear or damage. If the washer is cut or worn, it must be replaced with a genuine Phoenix repair kit.

## Reassembly

- 1) To replace the spring and seat washer it is helpful to assemble them on the end of a pen. The spring fits into the larger end of the seat washer. If there is a spring insert (8.9), place it on the other end of the spring. Once the spring and washer are positioned in the hole, the other end of the pen can be used to tap the washer into place.
- 2) To assemble the cartridge, insert the ball lever into the ball seat and rotate until the cross bar on the lever fits into the notches on the ball seat (it will only fit one way).
- 3) Snap the ball lever into the bonnet bottom by aligning the flat sides of the bottom of the lever and the hole in the bonnet bottom. You may need a little pressure to snap it into place. (Metal faucet bonnet bottom is a loose fit).
- 4) Place the bonnet bottom, ball seat and ball lever assembly into the faucet with the holes in the bonnet bottom at the back of the faucet.
- 5) Align the key on the ball seat with the notch on the hub and apply gentle pressure until the top of the ball seat is flush with the top of the hub.
- 6) Replace ball cap by rotating on the ball lever until it drops down. Then rotate to line the notch on the ball cap with the key on the top of the ball seat.
- 7) Replace centerpiece nut, handle, screw and button.



# MAINTENANCE

## TWO HANDLE FAUCETS

### WHAT KIND OF CARTRIDGE IS IN YOUR FAUCET?

To determine if your two handle faucet has a washerless cartridge, view the handle at eye level and turn the hot side handle on to flow water. If the handle moves downward, the faucet has a washerless cartridge. If it moves upward, it has a compression stem and bonnet inside.

The compression stem and bonnet design for faucets has been a standard in the plumbing industry for years. When the faucet is closed, a rubber seat washer is compressed against a seat in the body to shut off the water flow. There is some tendency to overtighten the handle when shutting off the water, which can cause unnecessary wear. For the longest life, close the faucet only until water stops.

### SHOULD A LEAK DEVELOP - TWO HANDLE FAUCET

Leaks can be caused by debris in the water line that prevents the seals from closing completely. Turning the faucet full on and off several times may flush out the small item(s) lodged in the faucet. If the problem persists, you should dismantle and check the faucet following these steps. (see fig. 1, 2 or 3)

### COMPRESSION STEM AND BONNET CARTRIDGE

- 1) ALWAYS TURN OFF THE WATER SUPPLY. Open the faucet lines to relieve any line pressure.
- 2) Unsnap the HOT and COLD index button (#1) on the handle.
- 3) Remove the handle screw (2) using a phillips screwdriver.
- 4) Lift off the handle. (3).
- 5) With a blade screwdriver, gently pry up the bonnet lock washer (4) and lift the bonnet lock (5) off the stem and bonnet.
- 6) Unscrew the brass stem and bonnet assembly (6) counter-clockwise with a 3/4" 6 pt. (or 12 pt.) deep socket.
- 7) Check for debris in the faucet body and remove it by flushing with water or brushing it out with a small brush.
- 8) Check the seat washer (8) for wear or damage. If the washer is cut or worn, you can temporarily repair the faucet by removing the seat screw (7) and turning the washer upside down and replacing it.

It is helpful to use the faucet handle as a holder for the stem when unscrewing the seat screw. If the seat washer is worn, cut or hardened, it should be replaced. A replacement seat washer in a Trade Size No. 00 (a 1/2" diameter seat washer) is available at any hardware store.

NOTE: There may be a solid brass or a plastic renewable seat in the base of the faucet. If there is a hex-shaped hole, it is renewable and can be replaced. Check the surface of the seat, it should be smooth. If nicks and scratches are present, the renewable seat can be replaced. Replacement seats are available through your dealer or local hardware store. Phoenix part no. 40-12-1 for plastic faucets or use part no. 40-1 for brass faucets. Streamway part no. 108-25 can also be used in brass faucets only.

A 5/16" Allen wrench is used to remove and install brass renewable seats, and a 1/4" for plastic. Use caution in aligning the threads when re-installing.

9) You are ready to re-assemble the faucet now. Threads on the bonnet assembly and on the stem body can be stripped by cross-threading or overtightening. Be sure to align the threads back into the body by gently turning counter-clockwise until the threads match. Hand tighten in a clockwise direction, until assembly is snug in the body, then tighten 1/2 turn more. Test for leaks by turning on water. If there are further leaks, retighten 1/4 turn. DO NOT OVERTIGHTEN. Reinstall bonnet lock, shoulder down, with 12 pt. opening engaged with stem and bonnet hex. Reinstall bonnet lockwasher making sure the outer diameter is underneath all four tabs of the shield.

Reinstall the handle, handle screw and button in the opposite manner they were removed.

### WASHERLESS CARTRIDGE

Remove the washerless cartridge by following the same steps 1 through 7 as for the compression stem and bonnet.

8) Remove any line trash. The screen in the shank may be removed and back flushed to clear debris. Examine the o-ring at the bottom of the stem for tears or wear. For an immediate fix, replace this o-ring with trade size no. 012. For best results, replace with genuine Phoenix washerless cartridge part no. P82.

Reassemble following step 9 instructions.

## Exposed 2 Valve Diverter & Tub Filler - 8" Centers

Key	Part No.	Description
1	40-16 H or C	Index Button, Clear
2	40-2H	Handle Screw (brass stem)
	60-4-2	Handle Screw (plastic stem)
3	6-40-9-16 H or C	Handle, Clear w/Button & Screw
4	40-5-8	Bonnet Lock Washer
5	40-5-3	Bonnet Lock
6	41-5-0	Stem & Bonnet (brass)
	45-5-0	Stem & Bonnet (plastic)
	P82	Washerless Cartridge
7	40-2S	Seat Screw (brass)
	45-2S	Seat Screw (plastic)
8	40-3-2	Seat Washer
9	40-12-1	Renu Seat
10	40-11	Locknut, Plastic 1/2"
11	40-11-1	Locknut, Zinc 1/2"
12	40-18	Crowfoot Washer 1/2"
13	60-10-8C	Flange Shower Arm, C.P.
14	60-10C	Shower Arm, C.P.
15	34-1/2"	Showerhead, 1/2"
16	6-48-1-0	Clapper Ass'y

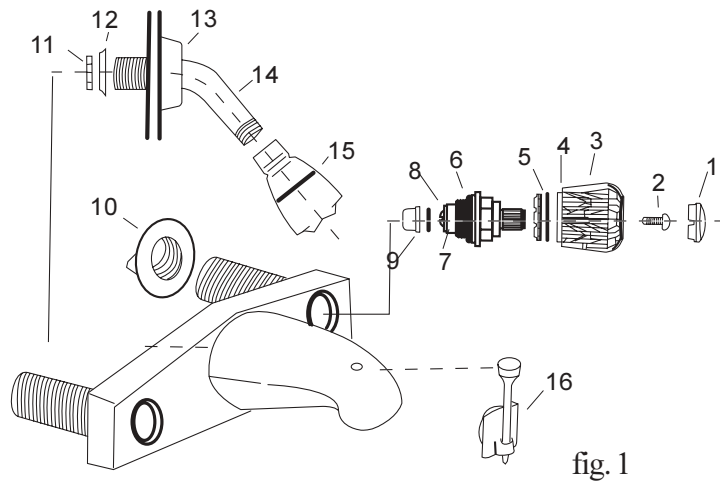


fig. 1

## Ledge Faucets - 8" Centers

Key	Part No.	Description
1	40-16 H or C	Index Button, Clear
2	40-2H	Handle Screw (brass stem)
	60-4-2	Handle Screw (plastic stem)
3	6-40-9-16 H or C	Handle, Clear w/Button & Screw
4	40-5-8	Bonnet Lock Washer
5	40-5-3	Bonnet Lock
6	41-5-0	Stem & Bonnet (brass)
	45-5-0	Stem & Bonnet (plastic)
	P82	Washerless Cartridge
7	40-2S	Seat Screw (brass)
	45-2S	Seat Screw (plastic)
8	40-3-2	Seat Washer
9	40-12-1	Renu Seat
10	N50-12PLC	8" Shield
11	40-11	Locknut, 1/2" Plastic
12	50-78A-0	8" Tubular Spout, C.P.
13	50-11C	Spout Nut C.P., Brass
14	40-13-3	End Trim Washer
15	6-40-13-0	End Trim Assembly
16	50-19C	Aerator
17	52-78A-0	8" Decorative Spout, C.P.
18	P52-11C	Spout Nut, Plastic C.P.
19	56-76-0	6" Bar Spout
20	56-79-0	9" Bar Spout (not shown)

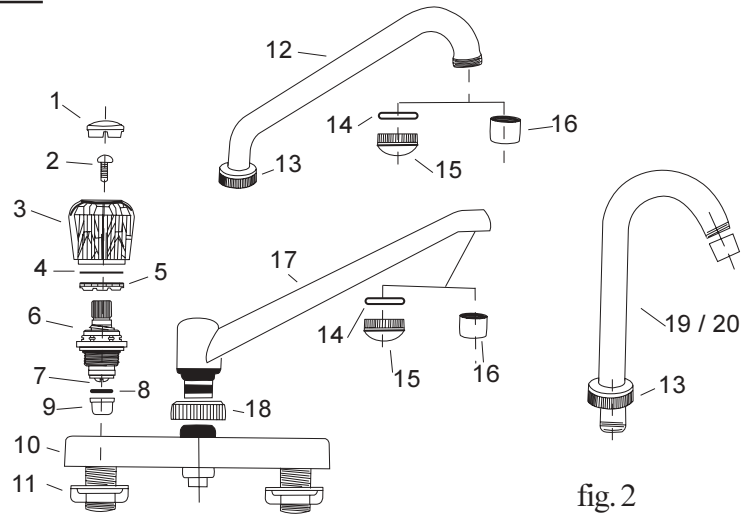


fig. 2

## Lavatory with Diverter - 4" Centers

Key	Part No.	Description
1	40-16 H or C	Button, Index, Clear
2	40-2H	Handle Screw (brass stem)
	60-4-2	Handle Screw (plastic stem)
3	6-40-9-16 H or C	Handle, Clear w/Button & Screw
4	40-5-8	Bonnet Lock Washer
5	40-5-3	Bonnet Lock
6	41-5-0	Stem & Bonnet (brass)
	45-5-0	Stem & Bonnet (plastic)
	P82	Washerless Cartridge
7	40-2S	Seat Screw (brass)
	45-2S	Seat Screw (plastic)
8	40-3-2	Seat Washer
9	40-12-1	Renu Seat
10	40-11	Locknut, Plastic 1/2"
11	P40-12-16	Black Domed Hole Plug
12	40-13-3	End Trim Washer
13	6-40-13-0	End Trim Assembly
14	50-19C	Aerator
15	44-13	"D" Spud For lavatory diverter only

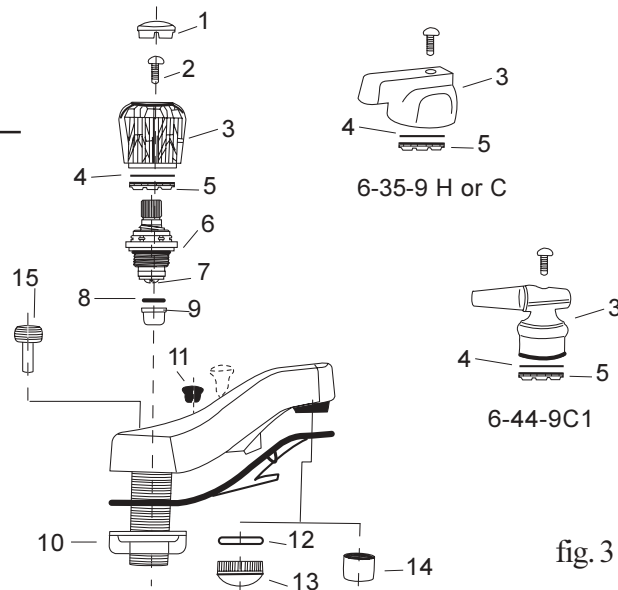


fig. 3

For information regarding additional service or replacement parts contact: Phoenix Products, Inc. 583 Miller Road Avon Lake, OH 44012, or call 800-222-6041, fax 440-933-6252., email info@Phoenixfaucets.com